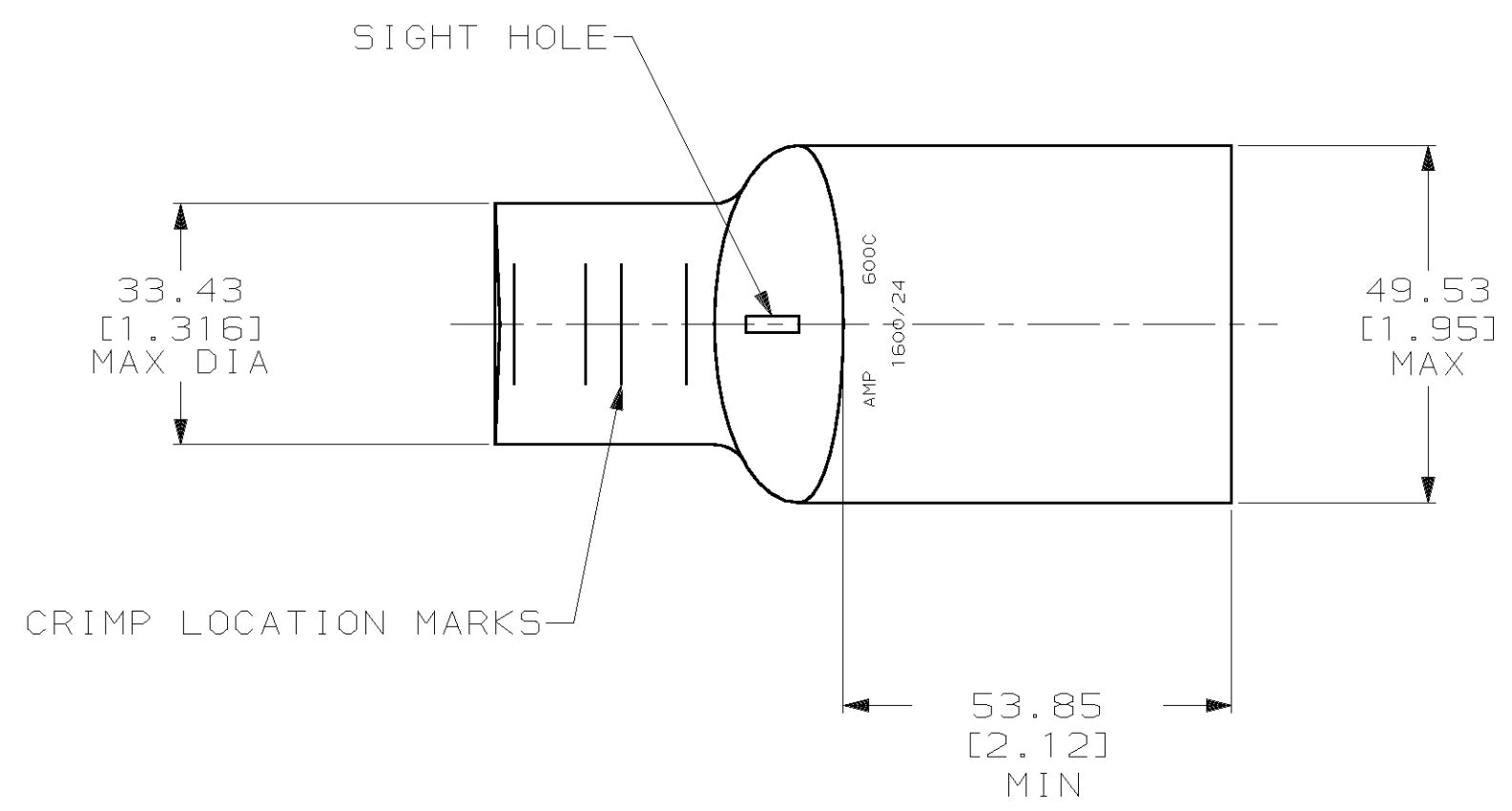
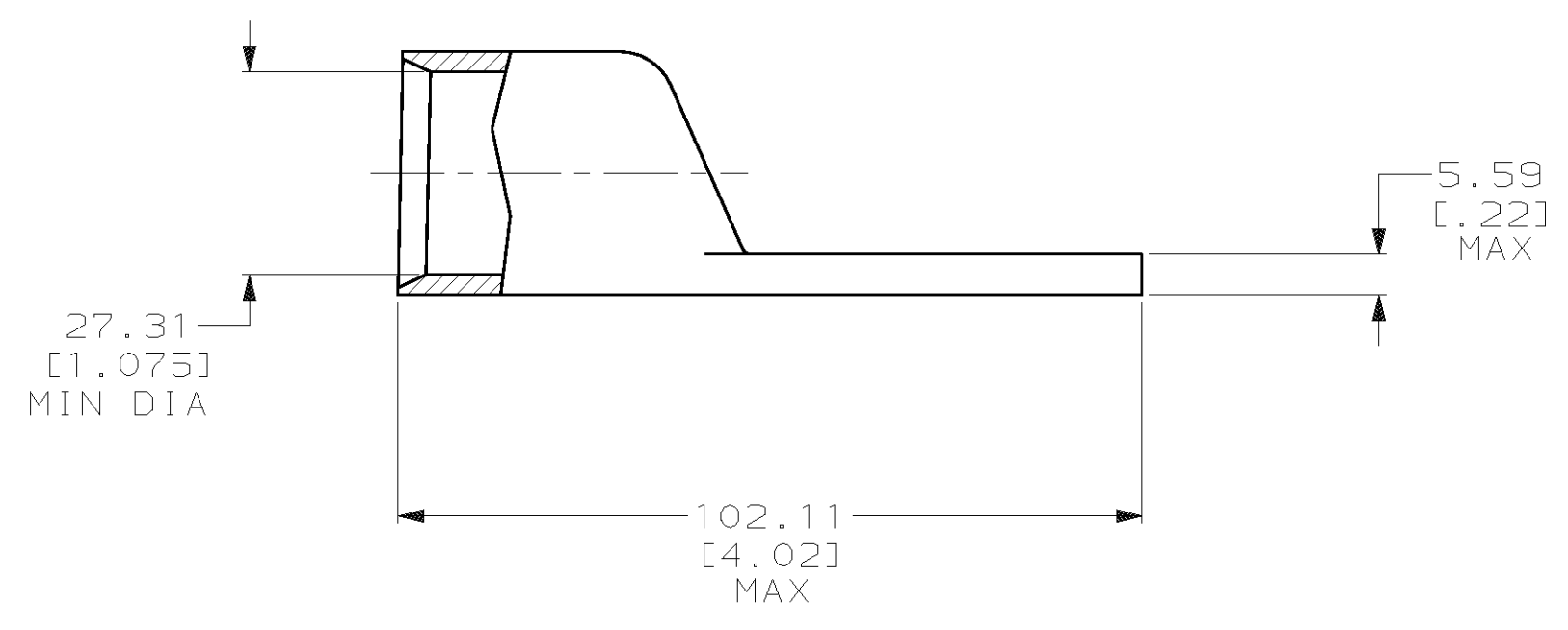


THIS DRAWING IS UNPUBLISHED. RELEASED FOR PUBLICATION, 19 .
 © COPYRIGHT 19 BY AMP INCORPORATED. ALL INTERNATIONAL RIGHTS RESERVED.

LOC		DIST		REVISIONS				DATE	APPD
ZONE	LTR	DESCRIPTION	DATE	APPD					
G	86	P	F	J	REV PER 063A-0561-01	080CT02	JR	MS	



1 CIRCULAR MIL RANGE: 550-650 MCM



METRIC

1-326211-1
PART NO

DO NOT SCALE PRINT. UNLESS SPECIFIED DIMENSIONS IN mm [INCHES] TOLERANCES ON : 2 PLC DEC ± 0.51 [.020] 3 PLC DEC ± - ANGLES ± -	DR 9/17/91 DK SCHRUM	AMP INCORPORATED Harrisburg, Pa. 17105	
	CHK 9/17/91 AJ KAUFMAN		
MATERIAL ANNEALED COPPER ASTM B-75	APPD 9/18/91 WJ VOCKROTH	NAME TERMINAL, AMPPOWER™ WIRE SIZE: 304.0mm ² [600]MCM	
FINISH CLEANED	APPD 9/18/91 AJ ADELMANN	PRODUCT SPEC -	
	APPLICATION SPEC -	WEIGHT .498 LB	SCALE 1:1
		SIZE C	CAGE CODE 00779
		DRAWING NO 326211	SHEET 1 OF 1